

DT Research ACCESSORY

Rotating Handstrap with Kickstand



BASIC OPERATION GUIDE

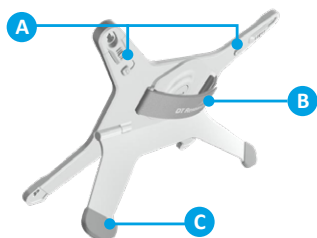
INTRODUCTION

Thank you for acquiring the handstrap for use with the 301MD Medical Tablet. This handstrap provides a rotatable and adjustable handstrap as well as a foldable kickstand, allowing the 301MD tablet to sit on flat surfaces.

PACKAGE CONTENTS

1. One rotating handstrap with foldable kickstand

The Rotating Handstrap with Kickstand



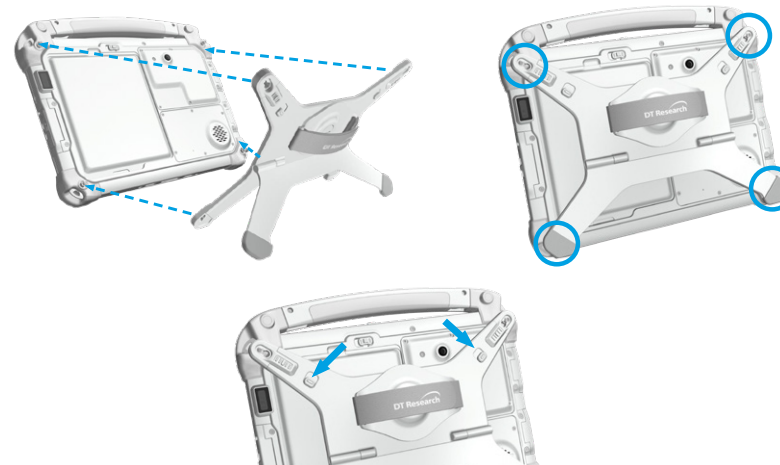
- A** Handstrap locks
- B** Adjustable/rotatable handstrap
- C** Foldable kickstand

Using the Handstrap with the Tablet

- 1** Remove the original rubber handstrap from the 301MD tablet.



- 2** Attach the hand strap with kickstand to the 301MD tablet. Make sure the screws on the four corners are hooked to the handstrap, then slide the locks to fix the handstrap.



- 3** Unfold the kickstand to place the tablet on a flat surface.

