

Releasing the Tablet from the Cradle

1. Unlock the Cradle with the key, then slide the latch on the bottom of the Cradle to loosen the Top Clasp.
2. Using two hands, hold the Tablet on both sides, pull the tablet up to remove the Tablet from the Cradle.

Specifications

Wall/ Vehicle Mount Cradle	
Dimensions (H x W x D)	198mm x 139mm x 46mm
Weight	1.41lbs/ 640g
Temperature	Operation: 0°C – 40°C; Storage: -20°C – 60°C
Humidity	0% – 90% non-condensing
I/O Ports	
Ethernet	RJ45 connector for Ethernet x 1
USB 2.0	4
DC-in	1

Tablet Mount Cradle

BASIC OPERATION GUIDE



INTRODUCTION

Thank you for acquiring the latest addition to DT Research's line of tablet accessories – the Tablet Mount Cradle (ACC-008-32). Featuring compact, robust design, this cradle provides secure placement and charging of the DT370 and DT380 series tablets whether mounted in vehicles or on the wall. This innovative cradle provides connection ports and promotes ergonomic, efficient access and management of DT Research tablets.

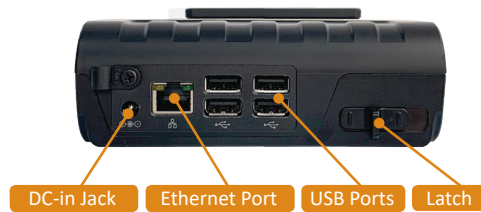
Package Contents

- One (1) Tablet Wall Mount Cradle
- One (1) VESA Conversion Bracket
- Two (2) Keys
- Four (4) Silver Bushes for wall mounting
- Four (4) Black Nuts for VESA mounting
- Eight (8) M4 Screws

Front-View Layout



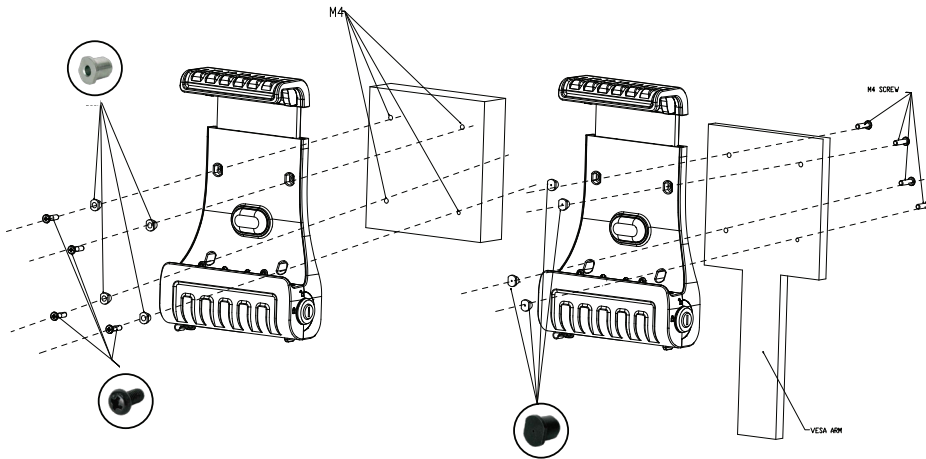
Bottom-View Layout



OPERATION

Mounting the Cradle

The Tablet Mount Cradle supports VESA standard mounting options (75 mm x 75 mm) so it can be easily attached onto a wall, in a vehicle, and on a VESA arm.



NOTE: If using a 100 x 100 VESA stand or arm, the VESA Conversion Bracket is needed. Please place the VESA Conversion Bracket on the back side of the Cradle, and apply the four M4 screws.

Inserting the Mobile Tablet in the Cradle

1. Use the key to unlock, and slide the latch on the bottom of the Cradle to loosen the Top Clasp.
2. Insert the bottom part of the Tablet into the cradle first with the connector parts correctly lined up.
3. When the bottom of the Tablet is in place, push the Tablet against the back and into the Cradle.
4. Push down on the Top Clasp, so the top portion of the cradle slides down and locks into the locked-down position.
5. Lock the Cradle with the key.



NOTE: For proper operation, make sure all necessary connections are in place before powering on the DT Research Tablet.